

POLYETHYLENE BUOY

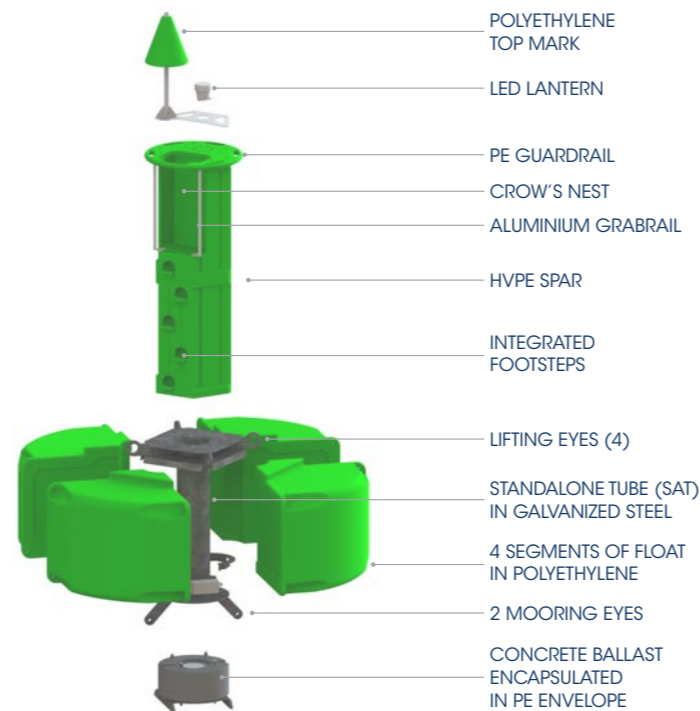
GBM-2500



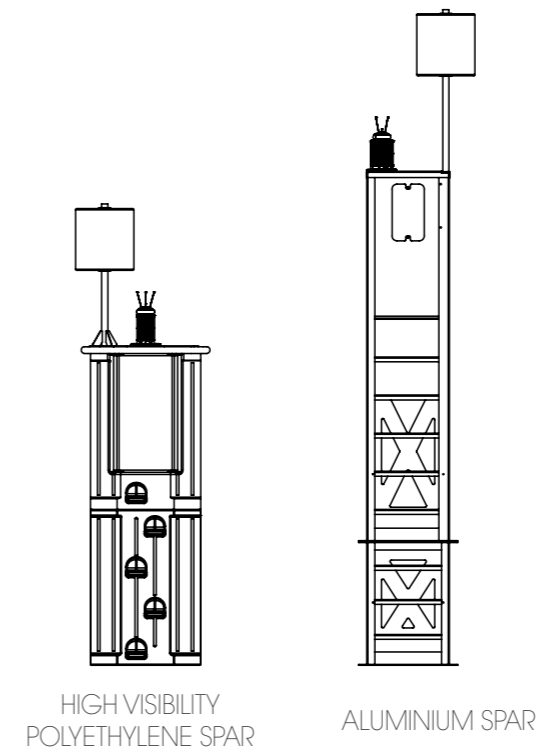
Diameter: 2.5m
Volume: 5.25m³
For semi-exposed sites

With its modular design, the GBM-2500 can match various applications. The combination of its 3 main elements is custom-made according to site conditions and client requirements.

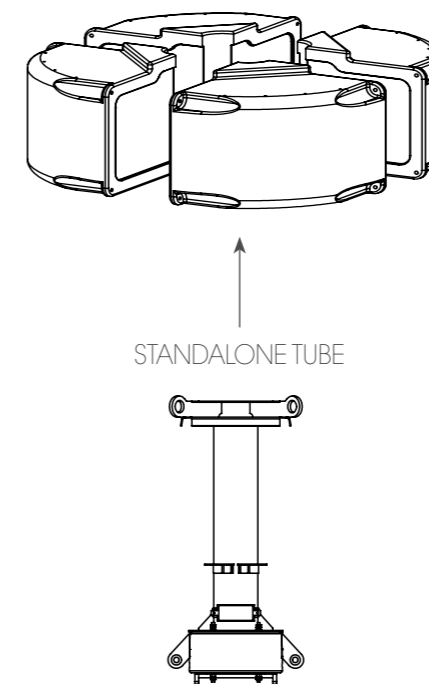
- 4 segments of float in virgin polyethylene, UV stabilised and precompounded to reduce colour ageing, with standard wall thickness 10mm (higher available upon request), and expanded polystyrene (EPS) foaming
- High Visibility Polyethylene (HVPE) or Aluminium (ALU) spar
- Central structure in galvanized steel type standalone tube with a concrete ballast directly integrated and encapsulated in a polyethylene envelope (SATPE)



2 types of spar, to offer enhanced visibility and match all focal plane requirements



2.5m diameter modular float filled with EPS foam



The standalone tube enables the buoy standing upright in service yards or vessels.

2 TYPES OF SPAR

HVPE (High Visibility PE)
2.7m high

ALUMINIUM
Adjustable from 3 to 4m to comply with focal plane requirements

2.5M DIAMETER FLOAT

5.25m³ volume
Filled with EPS foam

GALVANIZED STEEL CENTRAL STRUCTURE

SATPE: standalone tube with ballast integrated in PE envelope

ADDITIONAL CHARACTERISTICS

Reserve buoyancy (m³)
4.1

Focal plane (m)
2.7 to 3.9

Draught (m)
1.2

Overall height (m)
4.7 to 6

Ballast (kg)
415

Total weight (kg)
Approx. 1,130

Visibility (m²)
3.7 to 4.7

Recommended mooring
Ø 30mm open link chain with bridle

Recommended lantern
Self-contained LED lanterns or standalone lanterns with solar generator, with range from 3 to 7NM