

LED ROTATING BEACON

UP TO 25NM RANGE



The VRB-25-LED is a high intensity rotating beacon suitable for ranges up to 25 nautical miles @ 0.74T. It is an ideal replacement for beacons with Fresnel lenses in historic lighthouses, or locations requiring intensities greater than what can be achieved with typical stationary beacons.

- Great reduced maintenance: the LED beacon will operate for over 70,000 hours
- Brighter than stationary beacons, as the light is focussed into narrow beams instead of going in all directions at once
- Traditional appearance: beam of light sweeping through the sky, which is associated with lighthouses
- Energy efficient: ideal for solar-powered applications
- Flash characters are produced by setting the rotation speed and selecting 6 or 8 optic panels
- Peak intensity: 520,000cd per lens
- Effective intensity: 209,000cd per lens at 1RPM
- Divergence: 1.5° vertical and 1.5° horizontal, measured at 5% of specified intensity

Technical specifications

GLAZING

5mm acrylic with UV stabilisation

MATERIALS

Lens in machined cast acrylic
Frame in anodised marine grade aluminium

SEALING

O rings

VOLTAGE

12 VDC

POWER CONSUMPTION

24W (based on 6 panel, 1 tier, 1 RPM, 22 NM @ 0.74T)

LENS MOTOR DRIVE

Brushless direct-drive motor

INTRUSION PROTECTION

IP 65

DESIGN WIND SPEED

90 knots (167 kph)

WEIGHT

From 43 to 87kg (1 to 4 tiers)

FOCAL HEIGHT

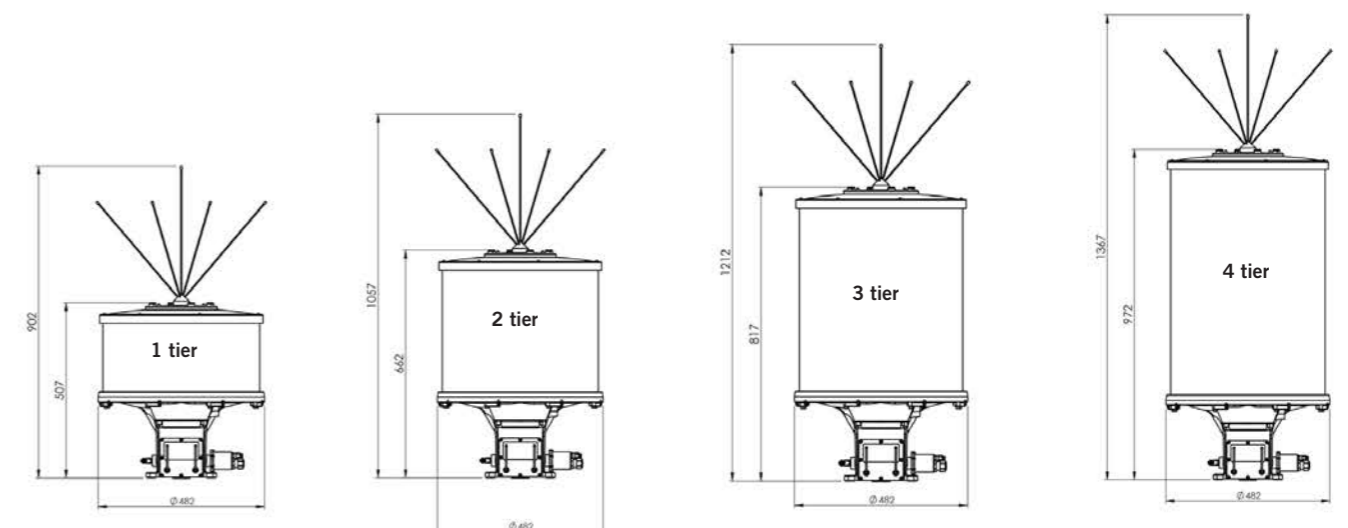
From 390 to 622mm (1 to 4 tiers)

ADDITIONAL FEATURES

- From 1 to 15.9 RPM rotation speed with 240 increments
- Automatic day/night detection
- Optional security code
- Programmable low-voltage cut-out
- Selectable master/back-up operation mode
- Digital inputs/outputs
- RS232 port
- Monitoring using VegaWeb



Dimensions



GISMAN is the authorized distributor for Carmanah, Sabik Marine and Vega products in many countries. For further details, please contact us.